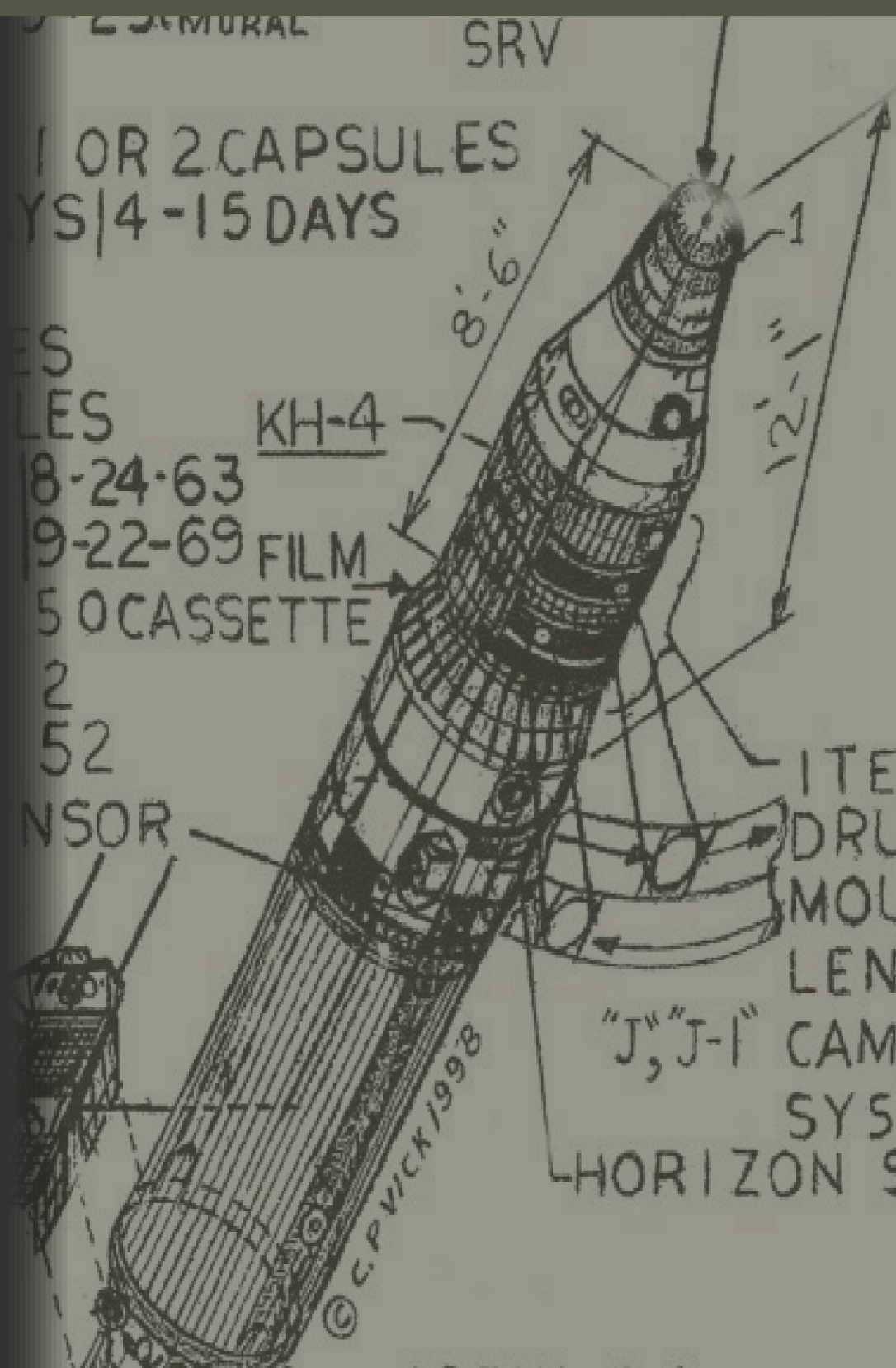
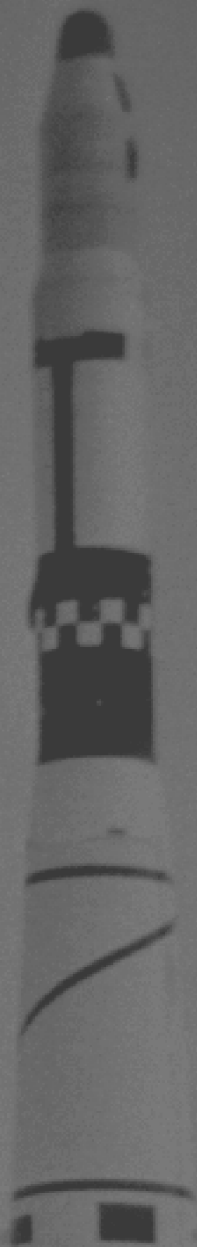


KEYHOLE KH-4A "CORONA"

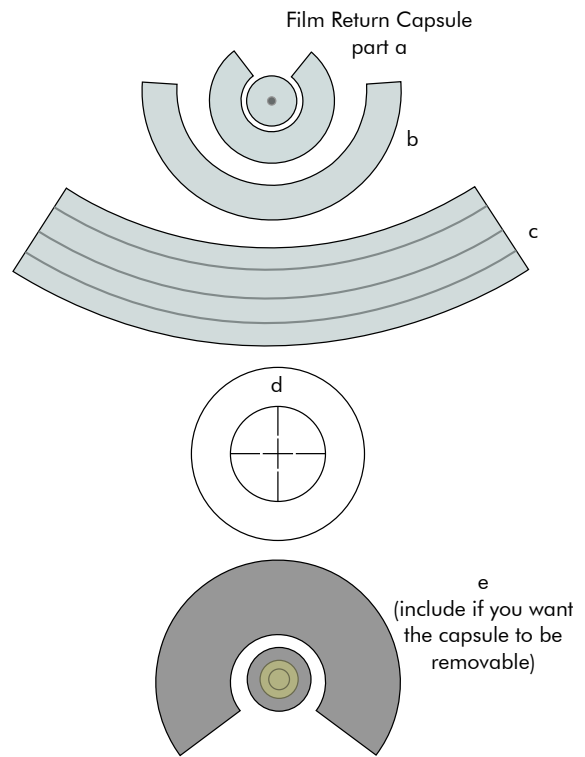
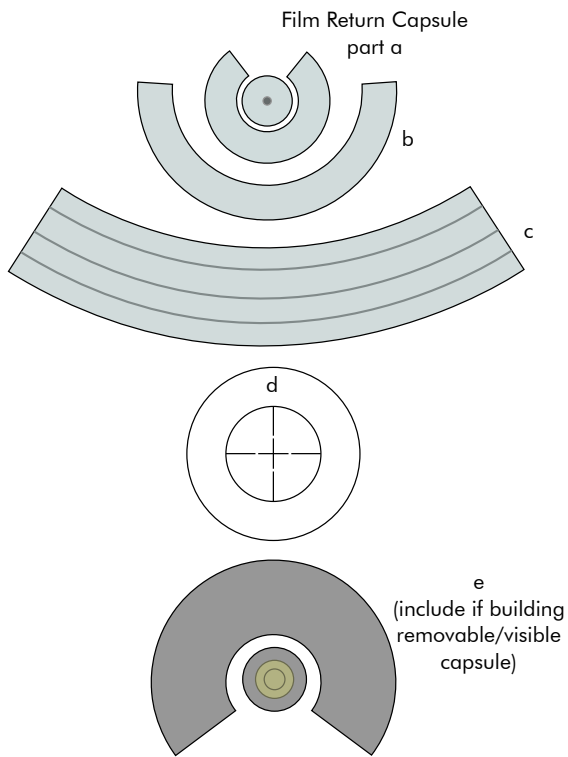
NRO STRATEGIC RECONNAISSANCE SATELLITE

PAPER MODEL KIT, ASSEMBLY REQUIRED

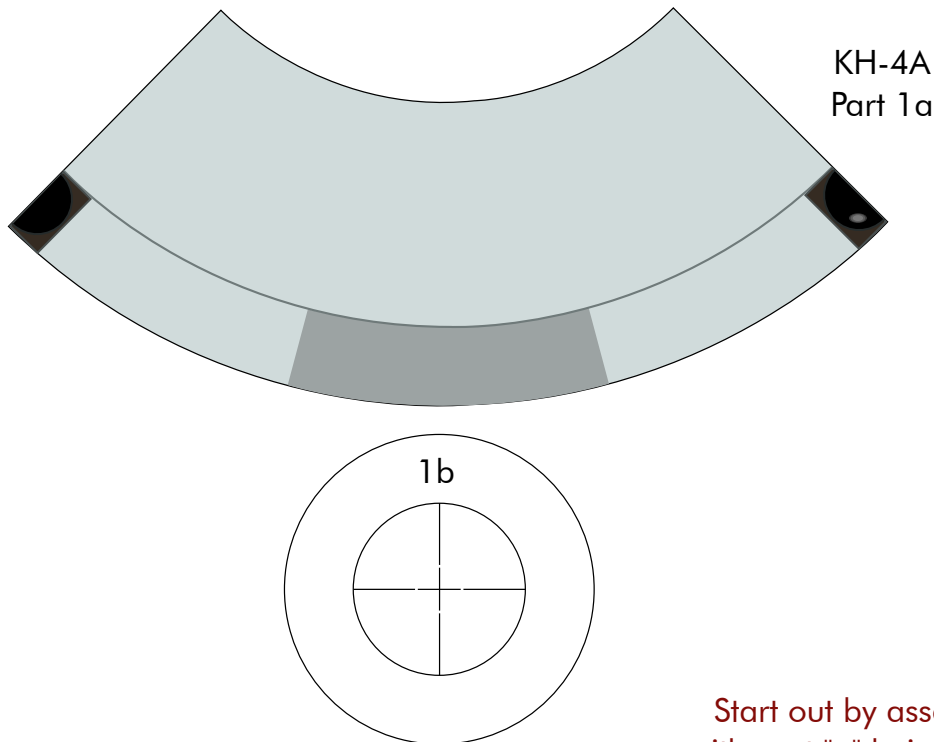
MORE AT: ROCKETMANTAN.DEVIANTART.COM



1:22
SCALE

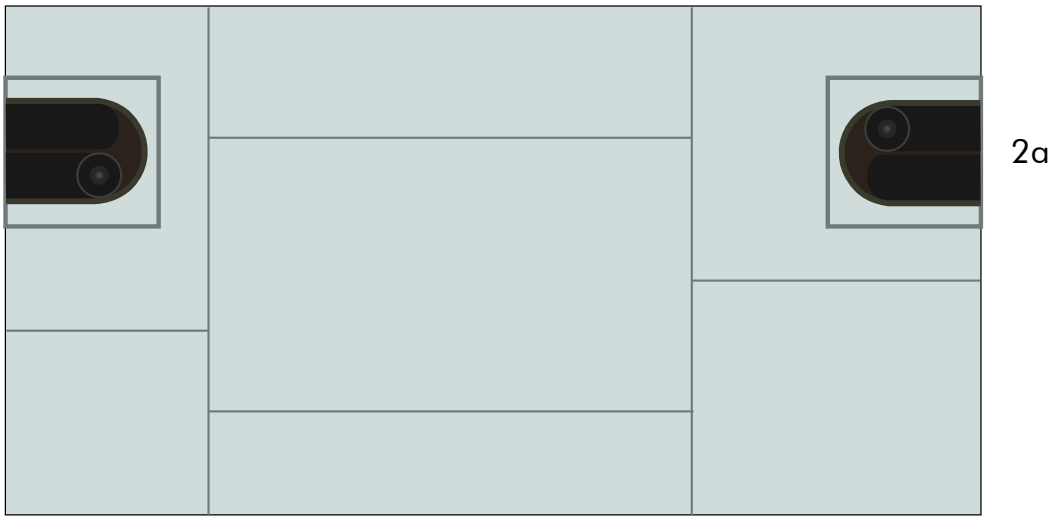


Spare Capsule

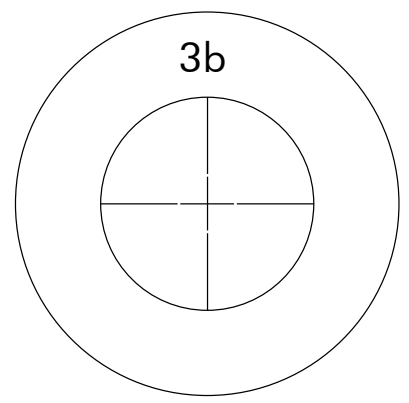


Start out by assembling the Film Return Capsule, with part "a" being the foremost piece, and ending with "e". Once done, attach the assembled Capsule to Part 1a of the KH-4B assembly.

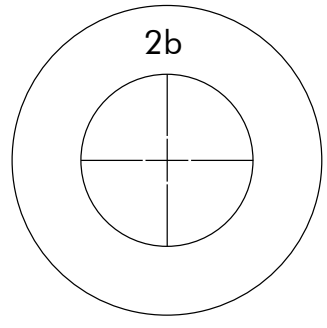
If you choose to build the model without a removable Film Return Capsule, assemble parts "a" through "d" only.



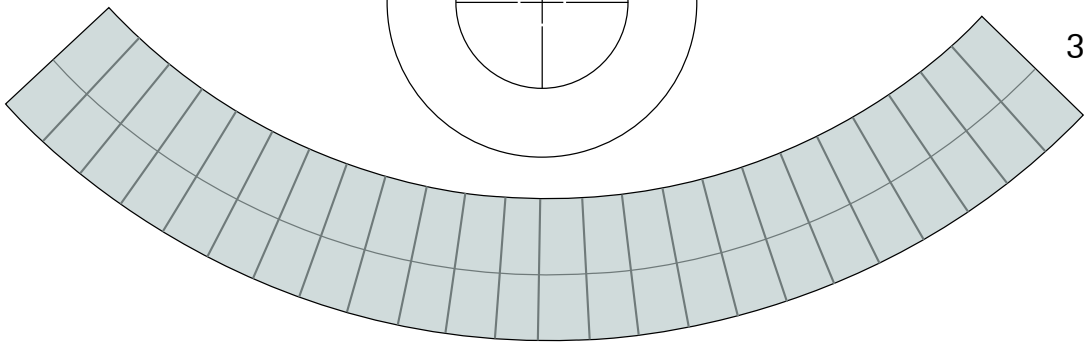
2a



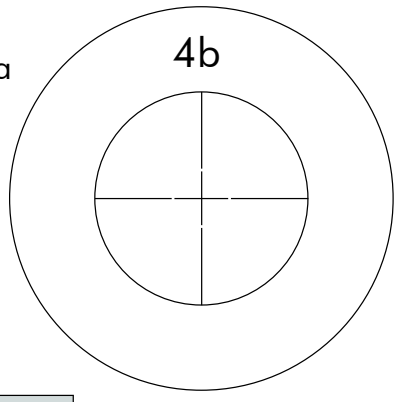
3b



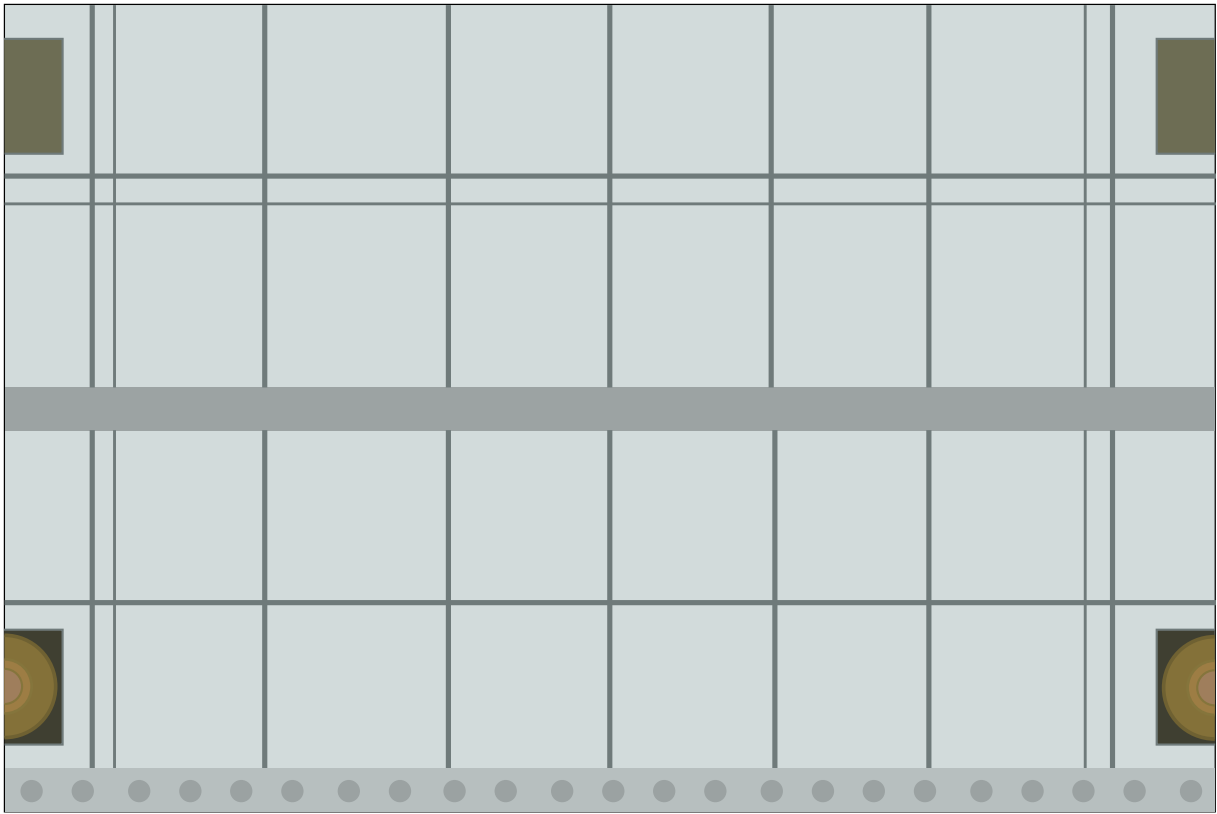
2b



3a



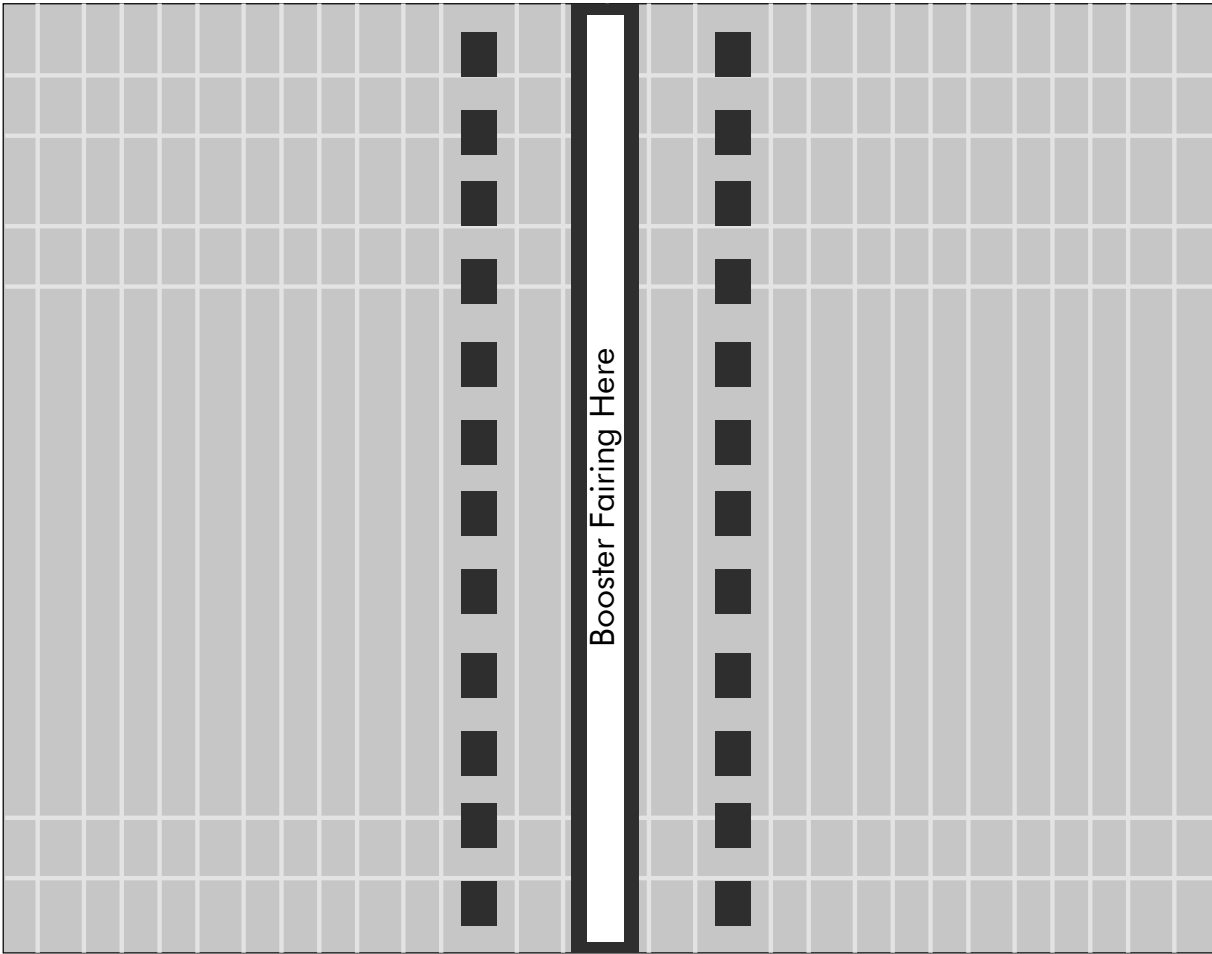
4b



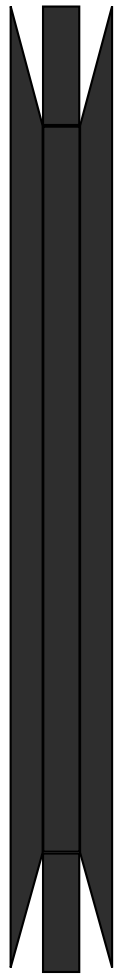
4a

Attach parts 2a thru 4b sequentially, 2 before 3, a before b and so on.

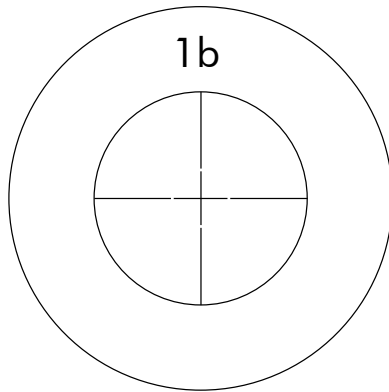
Once done, continue to next page



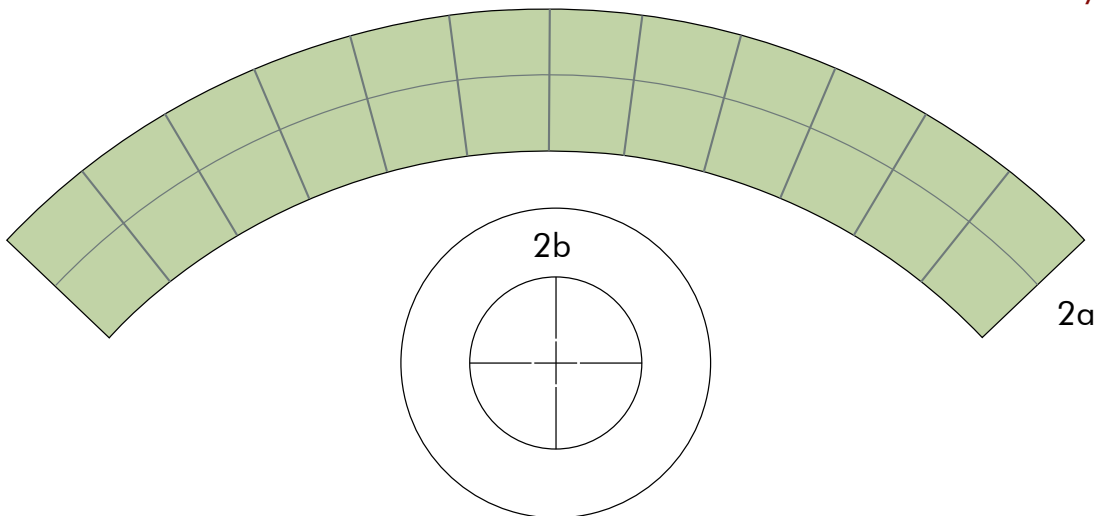
Agena Booster
part 1a



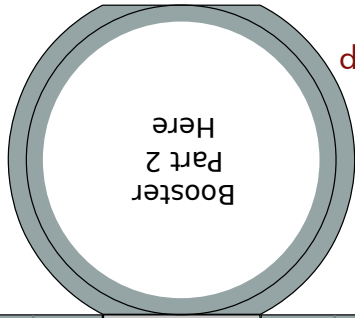
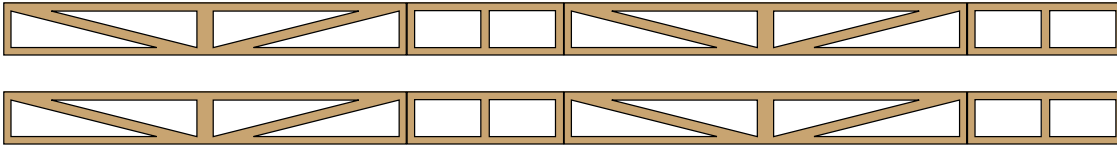
Booster Fairing



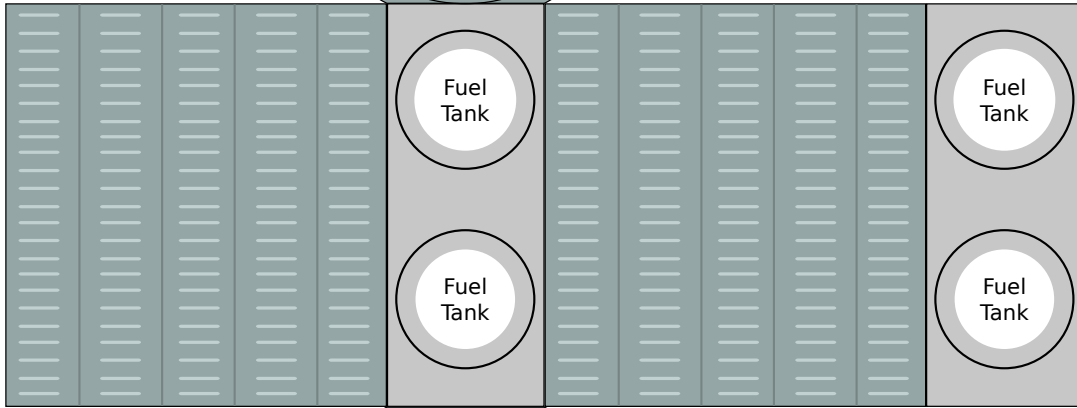
Attach and Assemble parts 1a through 2b sequentially in the same manner as the parts on the previous page. Attach Fairing to area labeled on Booster 1a
Once done, merge completed assembly to completed KH-4A assembly from the previous page.



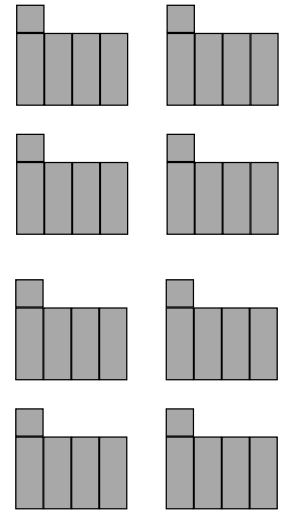
Guardrail



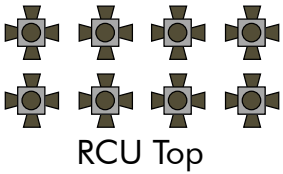
Assemble Propulsion Bus, with the Fuel Tanks being the dorsal and ventral sides. Attach Fuel tanks and Nozzle to their respective positions as labeled on the Bus. Attach Guardrails such that they surround the fuel tanks on both top and bottom of the bus. Glue RCU top to RCU main part and attach completed assembly to all four corners within the Guardrails.



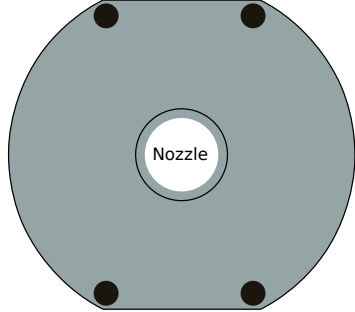
Agena Propulsion Unit
Main Bus



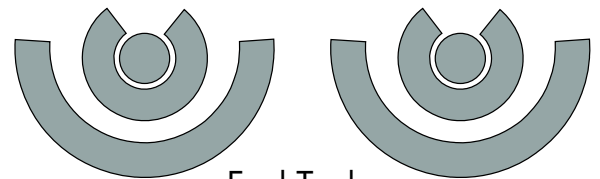
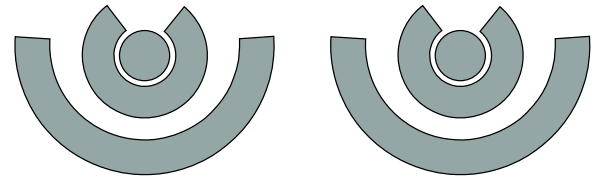
Reaction Control Unit (RCU)
Main



RCU Top



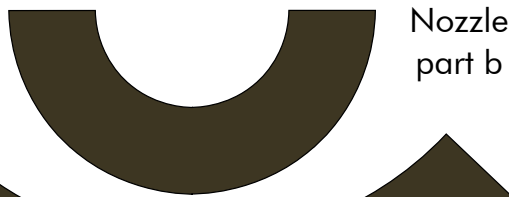
Nozzle



Fuel Tanks



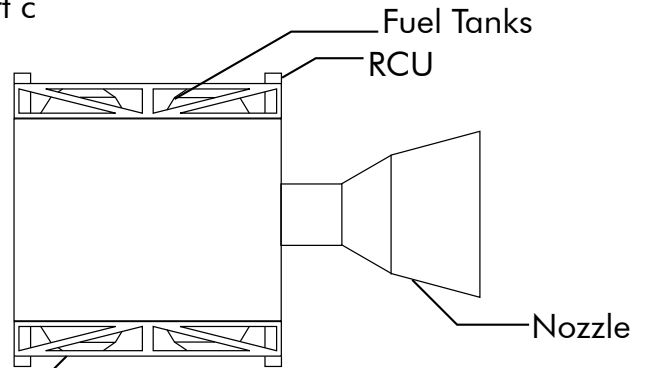
Nozzle
part a



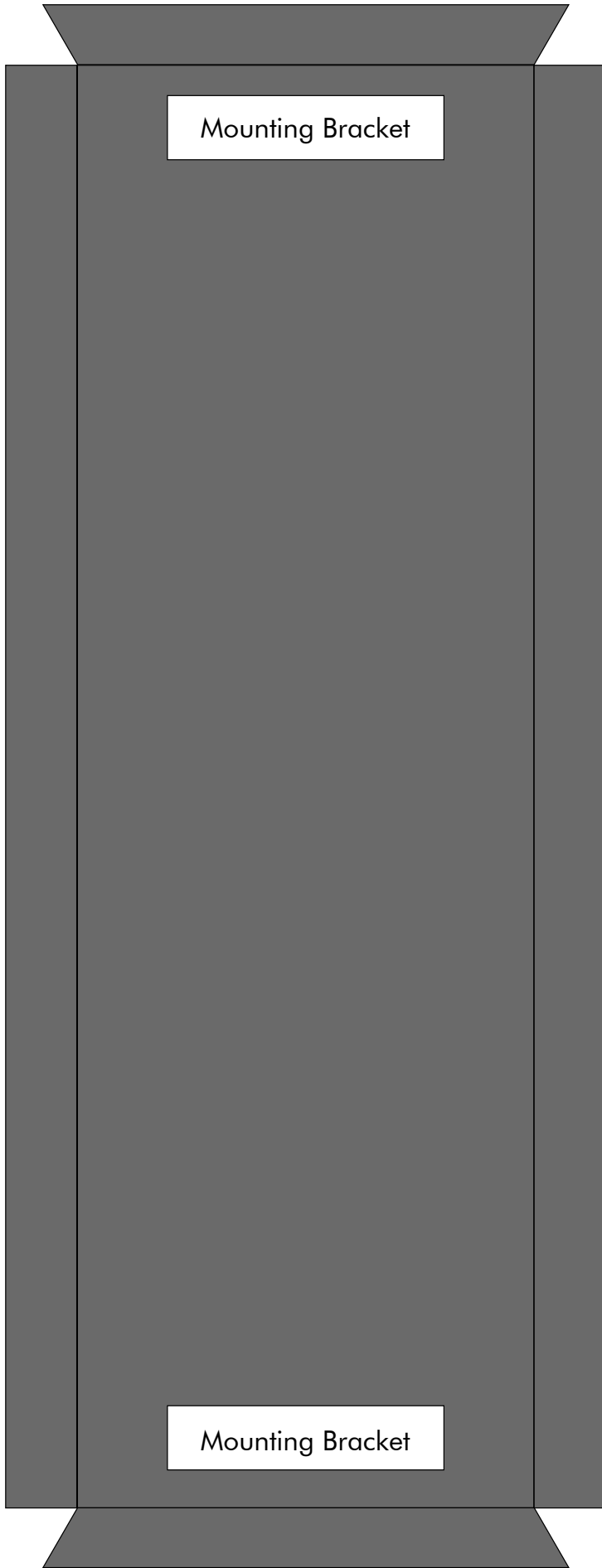
Nozzle
part b



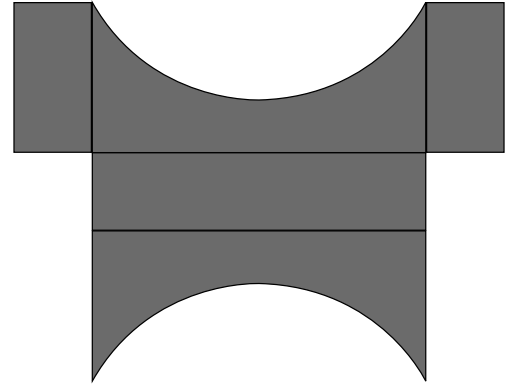
Nozzle
part c



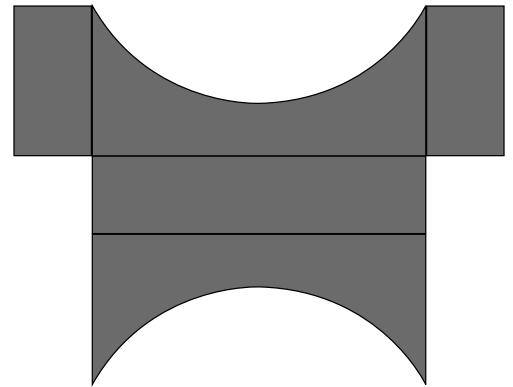
Guardrail



Stand Base



Mounting Brackets



(Optional)
Nameplate